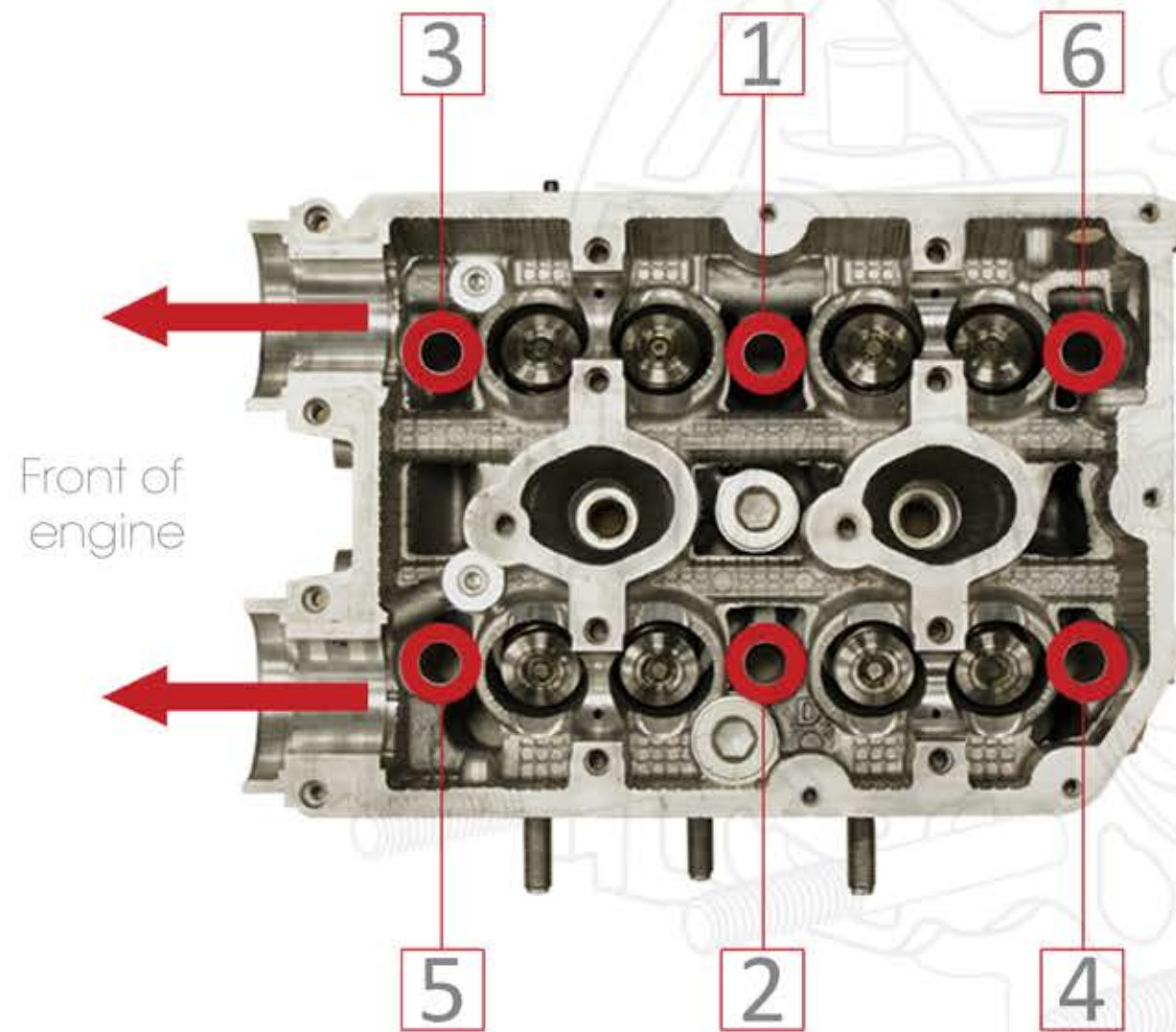


# RCM 12/14MM SUPERSTUD KIT

RCM2903

 We recommend reading our fitting instructions in full prior to beginning installation.



Follow the instructions below for torque settings and be sure to adhere to the diagram opposite, showing the correct tightening sequence.

Before beginning the below procedure ensure that the RCM assembly lube has been applied to all stud threads.

- In sequence tighten all to 22lb's/ft (29NM).
- In sequence tighten all to 51lb's/ft (69NM).
- In sequence slacken all off by 180 degree's.
- In sequence re-torque to 22lb's/ft (29NM).
- In sequence tighten all by 90 degrees.
- In sequence tighten all by 60 degrees.
- In sequence tighten centre studs (labelled 1 & 2) by a further 45 degrees.

All I ask of my Performance parts is that they get me to the finish, and in first place.....

*Robertson*